



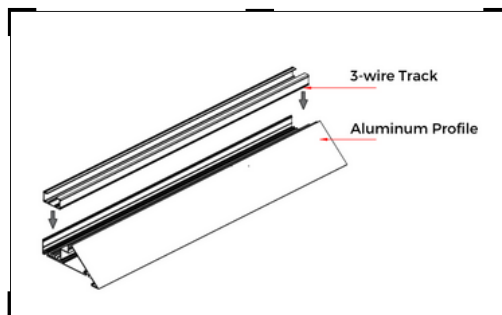
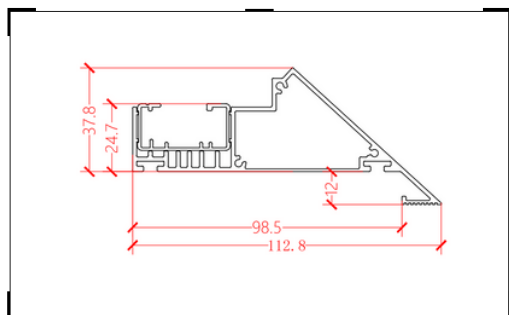
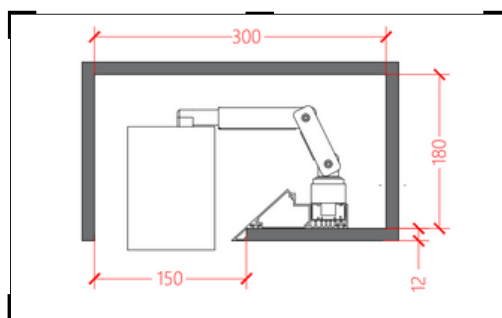
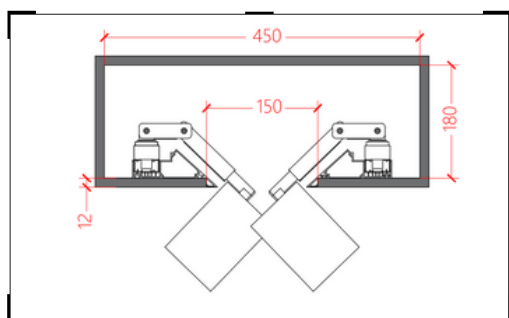
LED

Track Light

2022



Hidden Track light System LN-CTO-HI



*Due to the differences in test instruments and electronic components, the specific data may vary. Please confirm the specific parameters of the lamp before ordering to avoid misunderstanding. The luminous flux data and electrical data on the website will have +/-10% tolerance and measured at Tc 25°C indoors.

*Different power, CRI, C.C.T, or other LED chip / driver brands, or dimming functions, or emergency kit with specific duration, please contact with us.

*Dimensions and specifications subject to alterations without notice.

Hidden Track light System

LN-CTO-HI

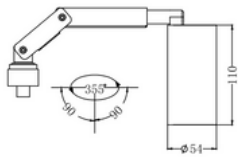


10W / 20W / 30W

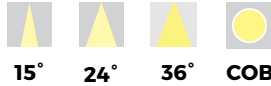
Optional Front Cup Color



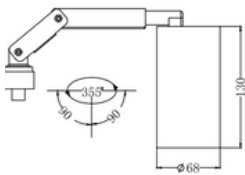
LN-CTO-HI-10 10W Track Light



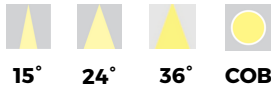
Model: LN-CTO-HI-10	Power: 10W	Luminous flux: LED 1050lm / Lamp 850lm
Body: D54xH110mm	Tracks: Three wires	Beam angle: 15°/24°/36°
LED Chips: COB CREE/OSRAM	Driver: C.C. LIFUD/KEGU	
Materials: Die-casting Aluminum	Housing Color: White/black,	



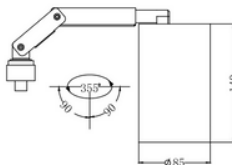
LN-CTO-HI-20 20W Track Light



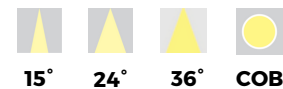
Model: LN-CTO-HI-20	Power: 20W	Luminous flux: LED 2100lm / Lamp 1700lm
Body: D68xH130mm	Tracks: Three wires	Beam angle: 15°/24°/36°
LED Chips: COB CREE/OSRAM	Driver: C.C. LIFUD/KEGU	
Materials: Die-casting Aluminum	Housing Color: White/black,	



LN-CTO-HI-30 30W Track Light



Model: LN-CTO-HI-30	Power: 30W	Luminous flux: LED 3150lm / Lamp 2550lm
Body: D85xH140mm	Tracks: Three wires	Beam angle: 15°/24°/36°
LED Chips: COB CREE/OSRAM	Driver: C.C. LIFUD/KEGU	
Materials: Die-casting Aluminum	Housing Color: White/black,	



*Due to the differences in test instruments and electronic components, the specific data may vary. Please confirm the specific parameters of the lamp before ordering to avoid misunderstanding. The luminous flux data and electrical data on the website will have +/-10% tolerance and measured at Tc 25°C indoors.

*Different power, CRI, C.C.T, or other LED chip / driver brands, or dimming functions, or emergency kit with specific duration, please contact with us.

*Dimensions and specifications subject to alterations without notice.



For more information, please check our website link:

<https://www.luna-lighting.cn>

For more information, or contact with us by:

Wechat/WhatsApp: +86-17328162503

WhatsApp:+86-18928117650

email: sales@luna-lighting.cn

website: www.luna-lighting.cn



Follow us on:

