

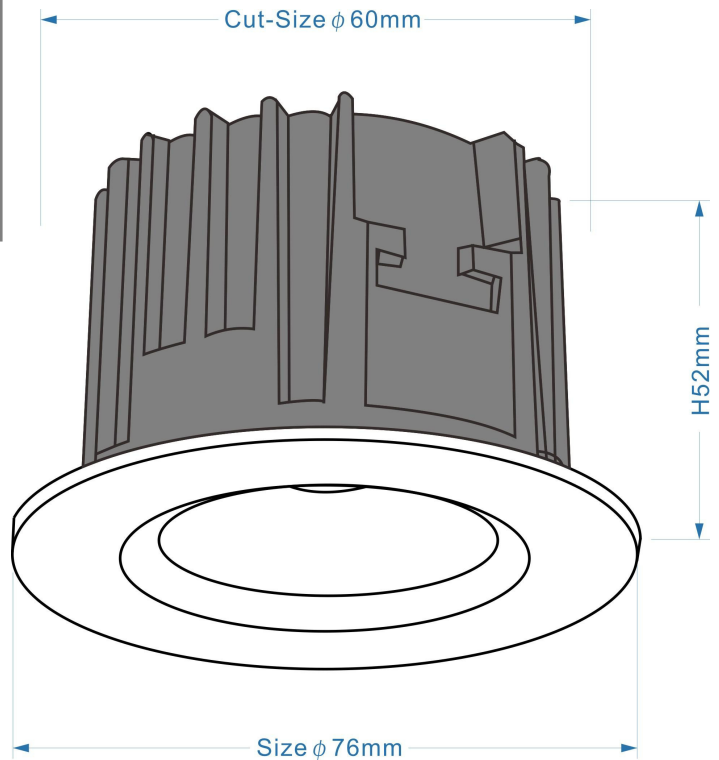


t +86-760-22343190  
m +86 173 2816 2503  
e sales@luna-lighting.cn  
www.luna-lighting.com

## Recessed Spotlight CRH10-8 D86 C60



Using Die-casting Aluminum heat sink.  
Offering over 10 sets of outer fittings.  
Using CREE CRI93 cob chips.  
Beam angle options: 15/24/38/60.  
Anti-glare design for most of the models.  
Maximum 12Watts, 5-10W optional.



## Product model: LN-CRH10-8

### Electrical

Power	10W Max. 5-10W optional
Input voltage	AC220-240V, AC100-250V optional
Frequency	50..60Hz
Driver options	OSRAM,PHILIPS,KEGU,LIFUD,Anxiong,QSM
Dimming	on/off,TRAIC,0/1-10V,2.4G
Class	III SELV
Ambient temperature	0 - 40°C
Relative humidity	<85%

### LED

LED brand options	<b>CREE,OSRAM,PHILIPS</b>
LED Qty	<b>1</b>
LED type	<b>COB</b>
C.C.T.	<b>2800K,3000K,4000K,6000K</b>
CRI	<b>&gt;80,&gt;90</b>
Lumen maintenance	<b>LM80</b>
SDCM	<b>4</b>

## Optical

Beam angle °	<b>15,24,36,60</b>
Luminous flux (LED)* lm	<b>1200</b>
Lumen efficiency (LED)* lm/W	<b>120</b>
Luminous flux (Luminare)* lm	<b>750</b>
Lumen efficiency (Luminare)* lm/W	<b>75</b>

## Material

Body & heatsink	<b>Die-casting Aluminum</b>
Housing	<b>Die-casting Aluminum</b>
Optics	<b>PMMA</b>
Surface treatment	<b>Powder Coated</b>
Color options	<b>Sanded White,Sanded Black</b>
IP grade	<b>IP20</b>

## Installation

Location	<b>Interior</b>
Fixition	<b>Recessed</b>
Size mm	<b>D76mmxH52mm</b>
Cutout mm	<b>D60</b>
Certificates	<b>CE</b>

## On request

- different power, CRI, C.C.T..

- other LED Brands, CREE, OSRAM, SAMSUNG, Bridgelux, etc.
- other Drivers, OSRAM, PHILIPS, Meanwell, KEGU, Lifud, etc.
- dimming functions: TRIAC, 0/1-10V, DALI, Mesh, 2.4G
- emergency kit with specific duration.

\*Due to the differences in test instruments and electronic components, the specific data may vary. Please confirm the specific parameters of the lamp before ordering to avoid misunderstanding. The luminous flux data and electrical data on the website will have +/-10% tolerance and measured at Tc 25°C indoors.

\*Dimensions and specifications subject to alterations without notice.

---

Add: NO.16 Industrial 2nd Road, Caosan, Guzhen, Zhongshan,  
Guangdong, China . [www.luna-lighting.com](http://www.luna-lighting.com) Email: [sales@luna-lighting.cn](mailto:sales@luna-lighting.cn) Wechat: Luna\_lighting

LUNA Mcfion Lighting Factory @ Copyright 2020