



t +86-760-22343190  
m +86 173 2816 2503  
e sales@luna-lighting.cn  
www.luna-lighting.com

## Recessed Spotlight CRH10-6

The product range uses a same versatile heatsink, made by die-cast aluminum resulting in good cooling effect.

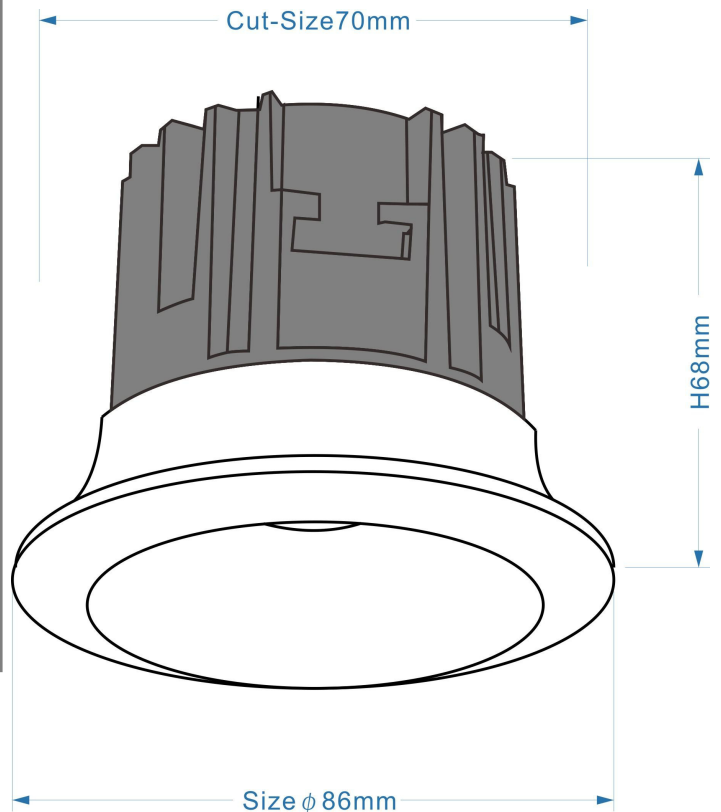
Supporting 10 different face rings, including: arc, straight edge, anti-glare, fixed and adjustable, suitable for different applications.

Reflective cups with 4 different beam angles can be spotlights or downlight.

Optional with different LED beads, as well as drive, TRAIC, 0/1-10V, DALI and other dimming options.

### Applications

architectural, commercial, exhibition areas, transit areas, corridors, shops, display windows, service areas, offices, staterooms, schools, halls, households, etc



## Product model: LN-CRH10-6

### Electrical

Power	10W
Input voltage	AC220-240V
Frequency	50..60Hz
Driver options	OSRAM,PHILIPS,KEGU,LIFUD,Anxiong
Dimming	on/off,TRAIC,0/1-10V,DALI,2.4G
Class	III SELV
Ambient temperature	0 - 40°C
Relative humidity	<85%

## LED

LED brand options	<b>CREE,OSRAM,PHILIPS</b>
LED Qty	<b>1</b>
LED type	<b>COB</b>
C.C.T.	<b>3000K,4000K,6000K</b>
CRI	<b>&gt;80,&gt;90</b>
Lumen maintenance	<b>LM80</b>
SDCM	<b>4</b>

## Optical

Beam angle °	<b>15,24,36,60</b>
Luminous flux (LED)* lm	<b>1200</b>
Lumen efficiency (LED)* lm/W	<b>120</b>
Luminous flux (Luminare)* lm	<b>750</b>
Lumen efficiency (Luminare)* lm/W	<b>75</b>

## Material

Body & heatsink	<b>Die-casting aluminum</b>
Housing	<b>Die-casting aluminum</b>
Optics	<b>PMMA</b>
Surface treatment	<b>Powder coated</b>
Color options	<b>Matt White</b>
IP grade	<b>IP20</b>

## Installation

Location	<b>Interior</b>
Fixition	<b>Ceiling Recessed</b>
Size mm	<b>Ø86*H68mm</b>
Cutout mm	<b>Ø70mm</b>
Certificates	<b>CE</b>

# On request

- different power, CRI, C.C.T..
- other LED Brands, CREE, OSRAM, SAMSUNG, Bridgelux, etc.
- other Drivers, OSRAM, PHILIPS, Meanwell, KEGU, Lifud, etc.
- dimming functions: TRIAC, 0/1-10V, DALI, Mesh, 2.4G
- emergency kit with specific duration.

\*Due to the differences in test instruments and electronic components, the specific data may vary. Please confirm the specific parameters of the lamp before ordering to avoid misunderstanding. The luminous flux data and electrical data on the website will have +/-10% tolerance and measured at Tc 25°C indoors.

\*Dimensions and specifications subject to alterations without notice.

---

Add: NO.16 Industrial 2nd Road, Caosan, Guzhen, Zhongshan, Guangdong, China . [www.luna-lighting.com](http://www.luna-lighting.com) Email: [sales@luna-lighting.cn](mailto:sales@luna-lighting.cn) Wechat: Luna\_lighting

LUNA Mcfion Lighting Factory @ Copyright 2020