



t +86-760-22343190
m +86 173 2816 2503
e sales@luna-lighting.cn
www.luna-lighting.com

Magnetic track light mini 60mm 12watts DC48V

LUNA Magnetic Track System is a new comprehensive and flexible system to design light in space.

48VDC low-voltage safe power supply, allowing customers to safely put their hands into the track to disassemble and assemble the lamps.

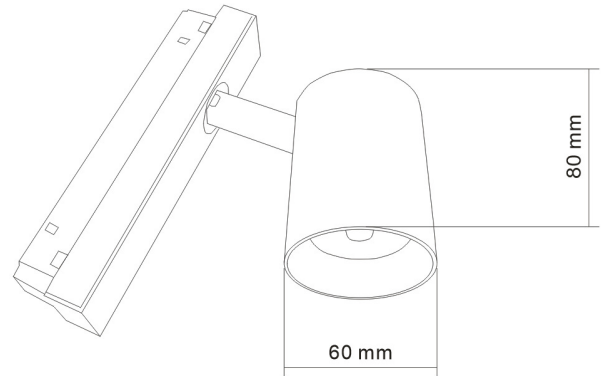
Customers pre-installed the track: Extruded aluminum housing slots, and then matched different surface lighting, spotlights, chandeliers, wall washer and other lamps according to the actual application scene. The light elements snap in place and connect automatically through the magic of magnets.

Applications

architectural, commercial, exhibition areas, transit areas, corridors, shops, display windows, service areas, offices, staterooms, schools, halls, households, etc



©MCFION-LUNA



Product model: LN-CMG-TS12

Electrical

| | |
|---------------------|---------------------------------|
| Power | 12W |
| Input voltage | DC48V |
| Frequency | |
| Driver options | KEGU,Dadou |
| Dimming | on/off,0/1-10V,DALI,Mesh |
| Class | III SELV |
| Ambient temperature | 0 - 40°C |
| Relative humidity | <85% |

LED

| | |
|-------------------|---------------------------|
| LED brand options | CREE,OSRAM,PHILIPS |
| LED Qty | 1 |
| LED type | COB |
| C.C.T. | 3000K,4000K,6000K |
| CRI | >80,>90 |
| Lumen maintenance | LM80 |
| SDCM | 4 |

Optical

| | |
|-----------------------------------|-----------------|
| Beam angle ° | 15,24,36 |
| Luminous flux (LED)* lm | 1500 |
| Lumen efficiency (LED)* lm/W | 125 |
| Luminous flux (Luminare)* lm | 1050 |
| Lumen efficiency (Luminare)* lm/W | 90 |

Material

| | |
|-------------------|-----------------------------|
| Body & heatsink | Die-casting aluminum |
| Housing | ABS gear box |
| Optics | Optical PMMA |
| Surface treatment | Powder coated |
| Color options | Matt Black |
| IP grade | IP20 |

Installation

| | |
|--------------|-----------------------|
| Location | Interior |
| Fixition | Magnetic track |
| Size mm | D60*H80*L100mm |
| Cutout mm | N/A |
| Certificates | CE |

On request

- different power, CRI, C.C.T..

- other LED Brands, CREE, OSRAM, SAMSUNG, Bridgelux, etc.
- other Drivers, OSRAM, PHILIPS, Meanwell, KEGU, Lifud, etc.
- dimming functions: TRIAC, 0/1-10V, DALI, Mesh, 2.4G
- emergency kit with specific duration.

*Due to the differences in test instruments and electronic components, the specific data may vary. Please confirm the specific parameters of the lamp before ordering to avoid misunderstanding. The luminous flux data and electrical data on the website will have +/-10% tolerance and measured at Tc 25°C indoors.

*Dimensions and specifications subject to alterations without notice.

Add: NO.16 Industrial 2nd Road, Caosan, Guzhen, Zhongshan,
Guangdong, China . www.luna-lighting.com Email: sales@luna-lighting.cn Wechat: Luna_lighting

LUNA Mcfion Lighting Factory @ Copyright 2020